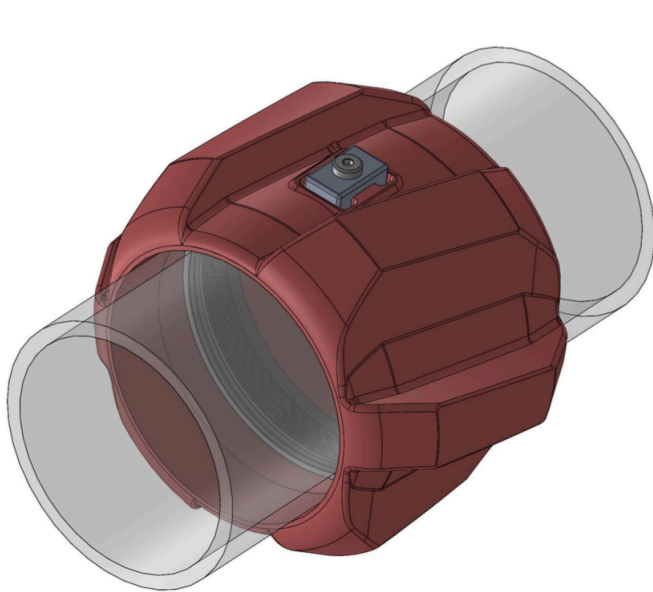
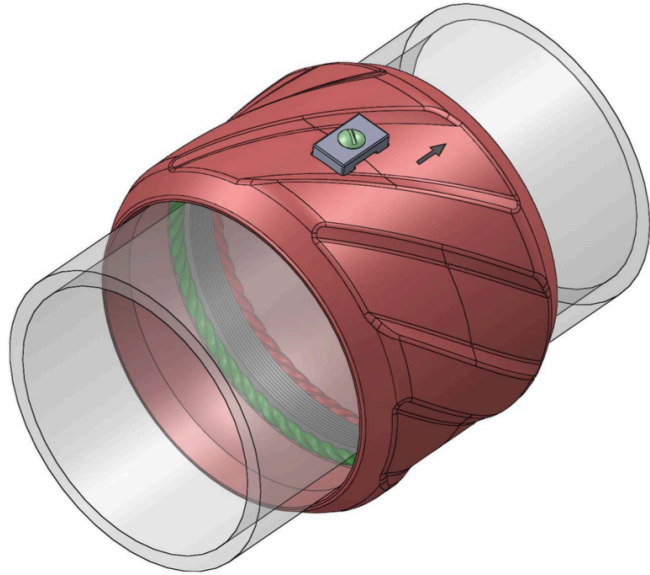


ECS SPINNING CENTRALIZER*Integral AXIAL Lock***ECR ROTO-LOCK CENTRALIZER***Integral AXIAL & TORSIONAL Lock***Features**

- Integrated centralizer and lock mechanism
- Placement with single motion release of Retaining Lug
- High Performance: (exceeds all slip-on systems)
 - Axial load rating up to 100,000 lb
 - ECR: Torsional rating up to 40,000 ft-lb
 - ECS: Free spinning even after max loads
 - Passed an extensive qualification program
- Manufactured under ExxonMobil HPP Quality Plan
- 5-1/2", 6-5/8" & 7" sizes and customized ODs available

Benefits

- No separate stop collars needed
- Easy to install / Saves time
- No hammer or special setting tools required
- Safety: Eliminates hand safety hazard during installation
- Robust locking mechanism assures functionality when most needed (during critical loads events)

For more information, please contact us
info@centergenics.com
+1(844) **CENTER-8**
+1(844) **236-8378**

ECS & ECR Centralizer Application Guide

Casing OD:	5-1/2"	6-5/8 "		7 "	
Model:	ECS	ECS	ECR	ECS	ECR
Type:	Spinning	Spinning	Rotationally Locked	Spinning	Rotationally Locked
Available:	✓	✓	✓		✓
Assembly Part No:	400326-20	400325-20	201200-00	400324-20	201201-00
OD (in):	8.125	8.125	8.25	8.125	8.25
ID (in):	5.605	6.750	6.750	7.120	7.120
Length (in):	6.000	6.000	6.000	6.000	6.000
Axial Load Resistance (Kip):	100,000	100,000	100,000	100,000	60,000
Torque Resistance (ft-lb):	-	-	40,000	-	30,000
Weight (lbs):	19.4	15.3	17.0	10.8	11.1
Number of Pads:	6	6	6	6	6

Ref. 400320-00

For more information, please contact us
 info@centergenics.com
 +1(844) **CENTER-8**
 +1(844) **236-8378**