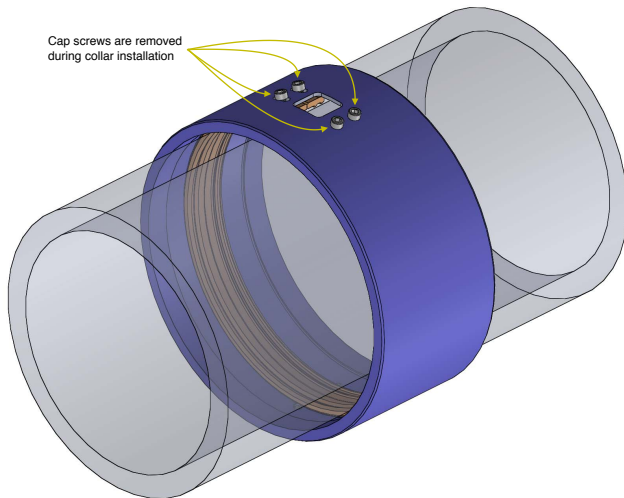
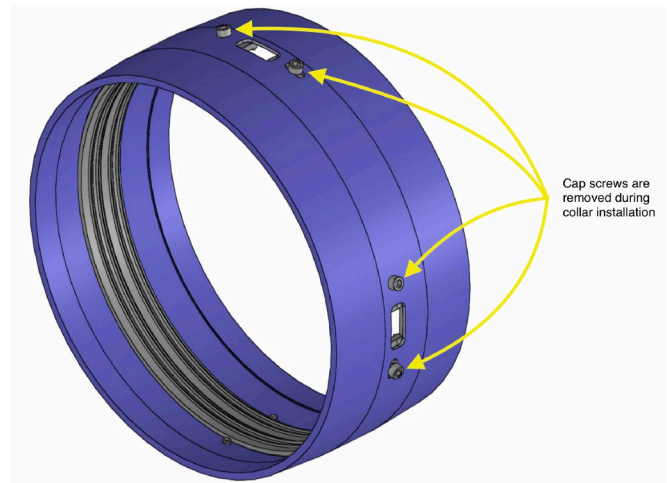


**“QG-2” STOP COLLAR**
*Standard*

**“QGS-2” STOP COLLAR**
*Slim Line*

**Features**

- Locking mechanism remains fully contained under all conditions
- Minimalist design - only 3 parts for Bi-Directional versions
- Fully Installed by the simple removal of shipping screws
- Non-welded carbon steel alloy construction
- Variable wedge energizing mechanism grip increases in direct response to applied load
- Higher performance than other slip-on collars
  - “QG-2” axial load rating is 100,000 lbs.
  - “QGS-2” axial load rating is 65,000 lbs.
  - Passed an extensive qualification test program

**Benefits**

- Easy to install / minimal training required
- Quick to install / saves time & expense
- No special setting tools required
- Safety: Eliminates hand safety hazard during installation
- Robust locking mechanism assures functionality when most needed (during critical loads events)



**“Quick Grip” Stop Collar Ordering Information**

	SLIM-LINE VERSION Type “QGS-2”	STANDARD VERSION Type “QG-2”
CASING SIZE	Bi-Directional Part No.	Bi-Directional Part No.
4-1/2”	400491-01	400490-01
5”	400491-02	400490-02
5-1/2”	400491-03	400490-03
6-5/8”	400491-04	400490-04
7”	400491-05	400490-05
7-5/8	400491-10	400490-10
7-3/4	400491-15	400490-15
9-3/8”	400491-06	400490-06
9-5/8”	400491-07	400490-07
9-7/8”	400491-08	400490-21
9-7/8” (a)	400488-00	N/A
10-1/8”	400491-14	400490-14
10-3/4”	400491-11	400490-11
11.150”	400491-23	400490-24
11-3/4”	400491-18	400490-20
11-7/8”	400491-25	400490-27
13-3/8”	400491-12	400490-12
13-5/8”	400491-16	400490-16
13-3/4”	400491-21	400490-22
13-7/8”	400491-17	400490-17
14.000”	400491-13	400490-13
14.150”	400491-24	400490-26
16.000”	400491-09	400490-09
16.040”	400491-19	400490-18
16.150”	400491-20	400490-19
16.200	400491-22	400490-23
16.250	400491-26	400490-25

(a) This size QGSS-3 (Assembly 400488-00) is not designed for use where actual casing OD is less than 9.875”. All other sizes are fully compatible with casing that complies with API OD dimensional tolerances limits.

Contact us for more information: **T: 1 (832) 271-2050**

**E: [info@centergenics.com](mailto:info@centergenics.com)**